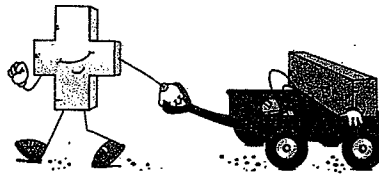


Add or subtract.



$$\begin{array}{r} 5 \\ +0 \\ \hline \end{array}$$

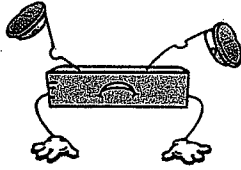
$$\begin{array}{r} 2 \\ +1 \\ \hline \end{array}$$

$$\begin{array}{r} 0 \\ +1 \\ \hline \end{array}$$

$$\begin{array}{r} 8 \\ +1 \\ \hline \end{array}$$

$$\begin{array}{r} 1 \\ +5 \\ \hline \end{array}$$

$$\begin{array}{r} 7 \\ +2 \\ \hline \end{array}$$



$$\begin{array}{r} 9 \\ -3 \\ \hline \end{array}$$

$$\begin{array}{r} 7 \\ -7 \\ \hline \end{array}$$

$$\begin{array}{r} 6 \\ -4 \\ \hline \end{array}$$

$$\begin{array}{r} 5 \\ -1 \\ \hline \end{array}$$

$$\begin{array}{r} 3 \\ -2 \\ \hline \end{array}$$

$$\begin{array}{r} 0 \\ -0 \\ \hline \end{array}$$

$$\begin{array}{r} 3 \\ +5 \\ \hline \end{array}$$

$$\begin{array}{r} 8 \\ +2 \\ \hline \end{array}$$

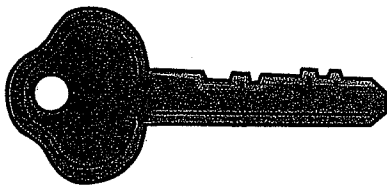
$$\begin{array}{r} 4 \\ -3 \\ \hline \end{array}$$

$$\begin{array}{r} 7 \\ -5 \\ \hline \end{array}$$

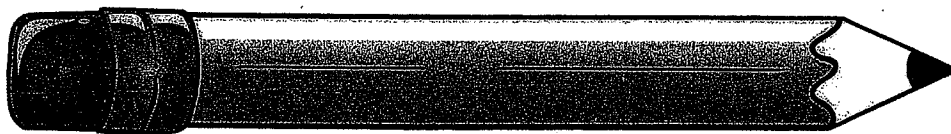
$$\begin{array}{r} 5 \\ +5 \\ \hline \end{array}$$

$$\begin{array}{r} 5 \\ -3 \\ \hline \end{array}$$

Look at each ruler. Write the length of each object in inches.



_____ in.



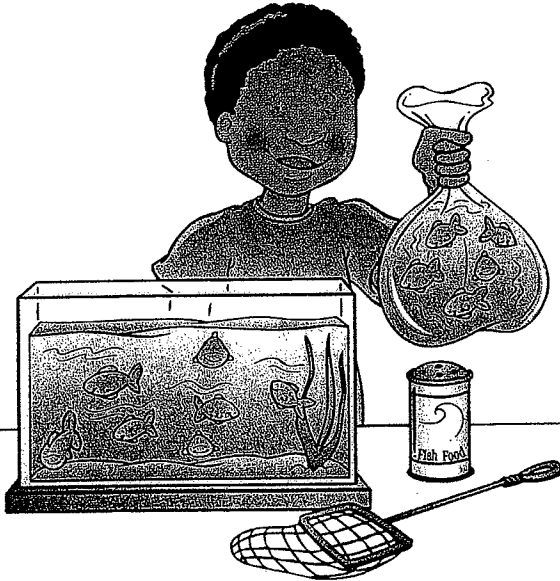
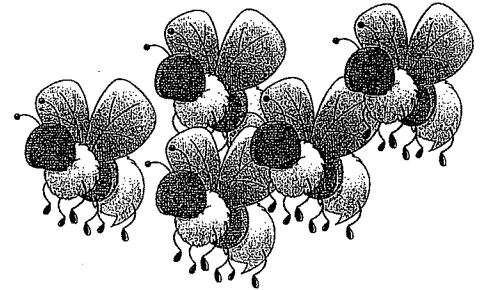
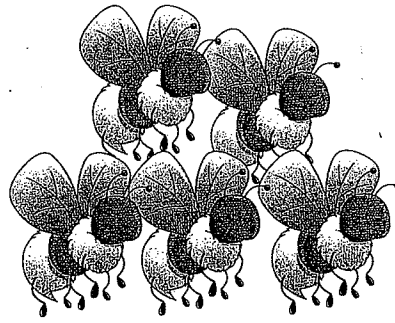
_____ in.



Solve these problems.

1. Rob found five bees.
Denise found five bees.
How many bees are there in all?

_____ bees

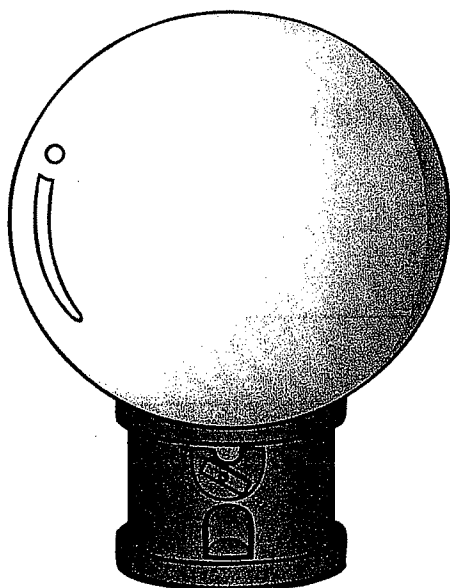
$$\begin{array}{r} \square \\ + \square \\ \hline \square \end{array}$$


2. Matt has seven fish.
Matt bought five more fish.
How many fish are there in all?

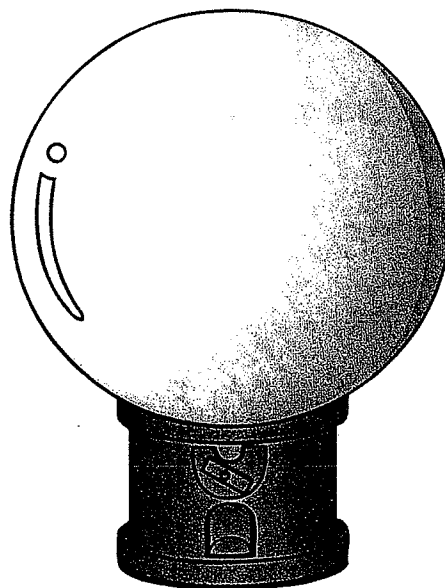
_____ fish

$$\begin{array}{r} \square \\ + \square \\ \hline \square \end{array}$$

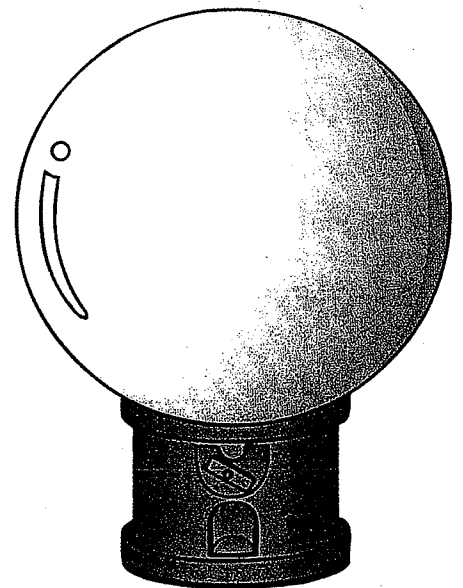
Draw and color the correct number of gum balls in each machine.



seven red gum balls



ten orange gum balls



five blue gum balls

Complete the counting patterns.

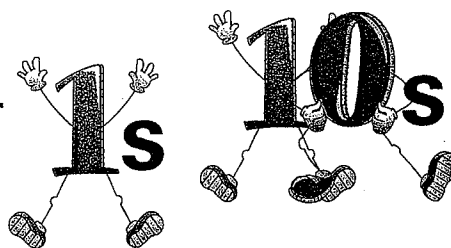
10	20		40			70			100
----	----	--	----	--	--	----	--	--	-----

5	10	15				35	40		
55			70				90		

2	4		8		12			18		22
	26			32					42	

Decide how many tens and how many ones make up each number.

EXAMPLE:



26 = 2 tens 6 ones 41 = _____ ones _____ tens

45 = _____ tens _____ ones 84 = _____ tens _____ ones

65 = _____ ones _____ tens 72 = _____ ones _____ tens

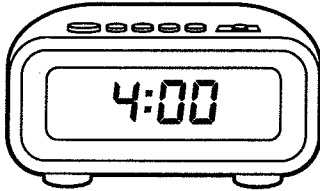
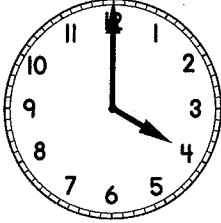
17 = _____ ones _____ tens 39 = _____ tens _____ ones

50 = _____ tens _____ ones 51 = _____ ones _____ tens

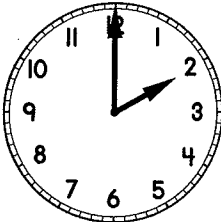
97 = _____ ones _____ tens 100 = _____ tens _____ ones

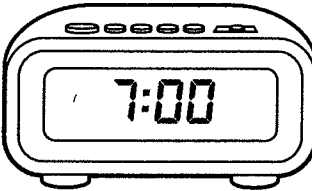
Study the example below. Write the time for each clock on the line provided.

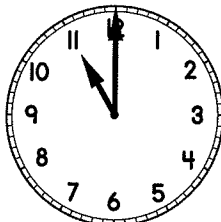
Example:

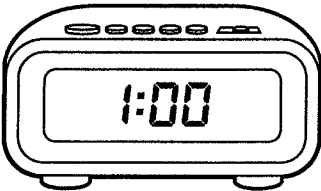


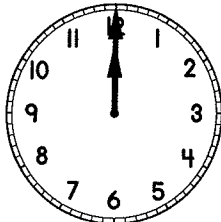
4 : 00

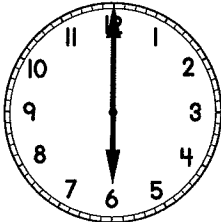
1. 
_____ : _____

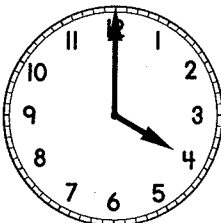
2. 
_____ : _____

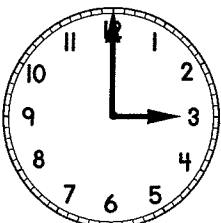
3. 
_____ : _____


4. 
_____ : _____

5. 
_____ : _____

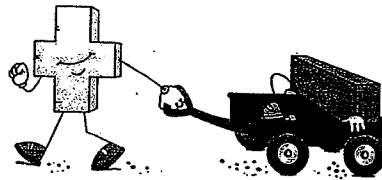
6. 
_____ : _____

7. 
_____ : _____

8. 
_____ : _____

9. 
_____ : _____

Add or subtract.



$8 + 2 = \underline{\quad}$

$10 - 4 = \underline{\quad}$

$2 + 1 = \underline{\quad}$

$4 + 4 = \underline{\quad}$

$5 - 2 = \underline{\quad}$

$7 - 3 = \underline{\quad}$

$3 + 7 = \underline{\quad}$

$6 - 3 = \underline{\quad}$

$5 - 4 = \underline{\quad}$

$1 + 9 = \underline{\quad}$

$4 - 4 = \underline{\quad}$

$10 - 5 = \underline{\quad}$

$3 + 3 = \underline{\quad}$

$7 - 4 = \underline{\quad}$

$3 + 2 = \underline{\quad}$

$6 + 4 = \underline{\quad}$

$3 - 1 = \underline{\quad}$

$5 + 4 = \underline{\quad}$

$5 + 2 = \underline{\quad}$

$9 - 4 = \underline{\quad}$

$6 - 2 = \underline{\quad}$

Which balloon has the number described by the tens and ones?
Color that balloon. Use the color that is written in each box.

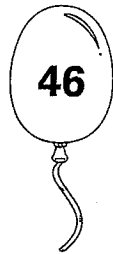


2 tens

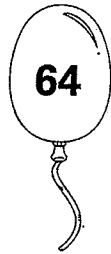


3 ones

blue



4 tens

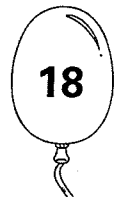


6 ones

green



1 ten

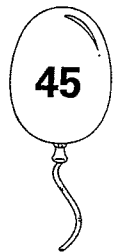


8 ones

purple

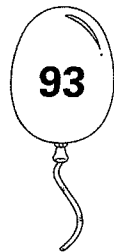


5 tens

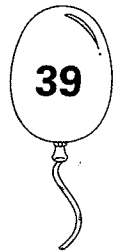


4 ones

orange



3 tens

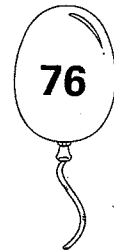


9 ones

black



6 tens

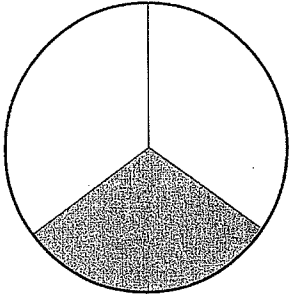


7 ones

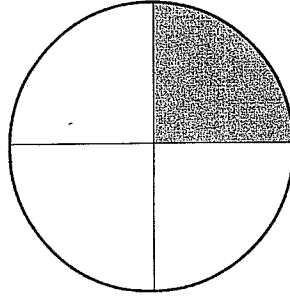
brown

Write a fraction for each picture on the line provided.

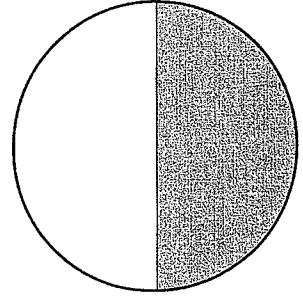
1.



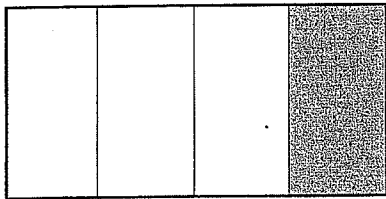
2.



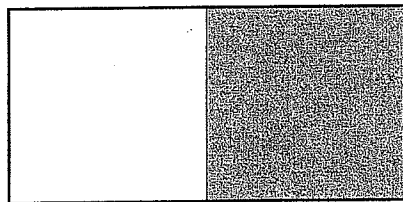
3.



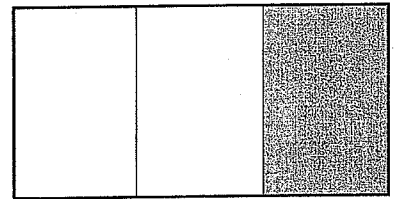
4.



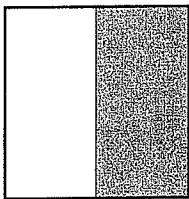
5.



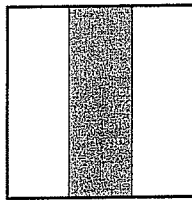
6.



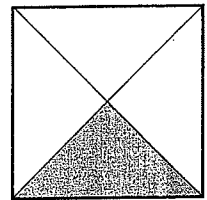
7.



8.

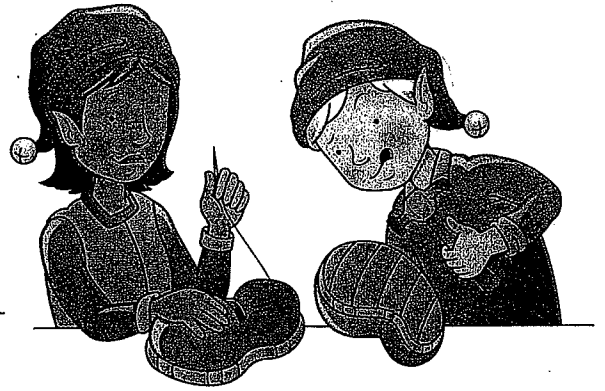


9.

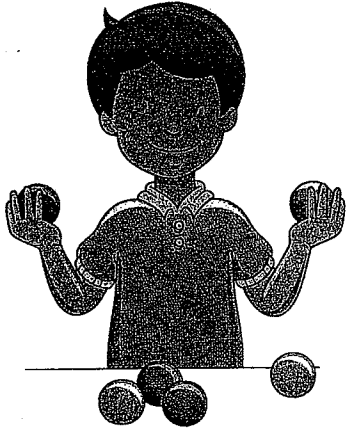


below. Write each problem.

1. The elves made four shoes the first night and six shoes the second night. How many shoes did they make?



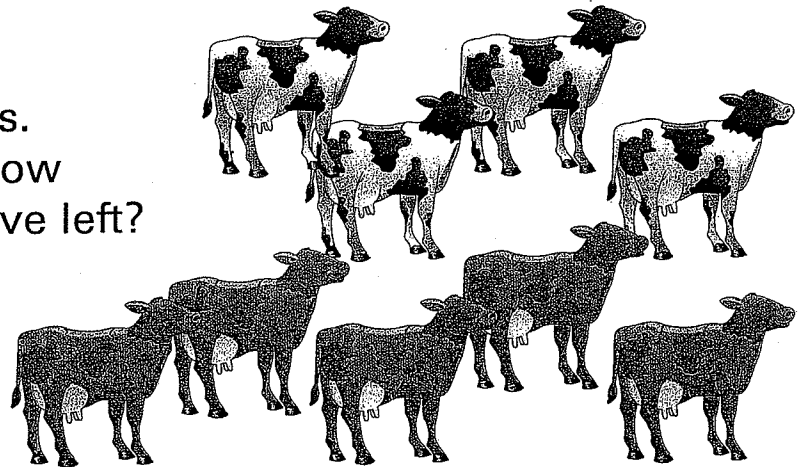
$$\underline{\quad\quad} + \underline{\quad\quad} = \underline{\quad\quad}$$



2. Rob had three balls. He found three more. How many balls does he have in all?

$$\underline{\quad\quad} + \underline{\quad\quad} = \underline{\quad\quad}$$

3. A farmer had nine cows. He sold five of them. How many cows does he have left?

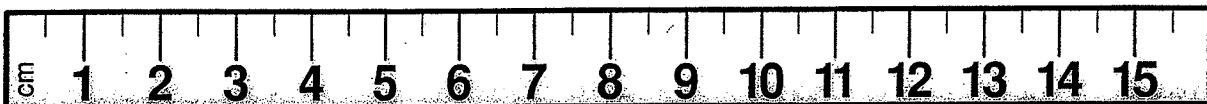


$$\underline{\quad\quad} - \underline{\quad\quad} = \underline{\quad\quad}$$

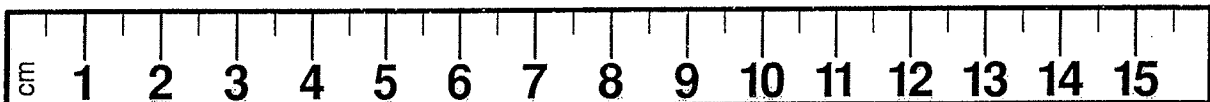
Look at each centimeter ruler. Write the length of each object in centimeters.



_____ cm



_____ cm

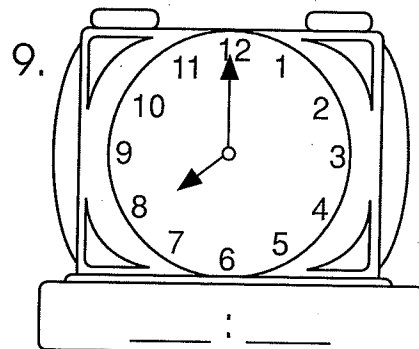
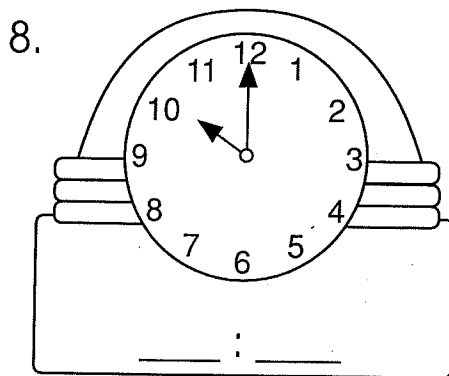
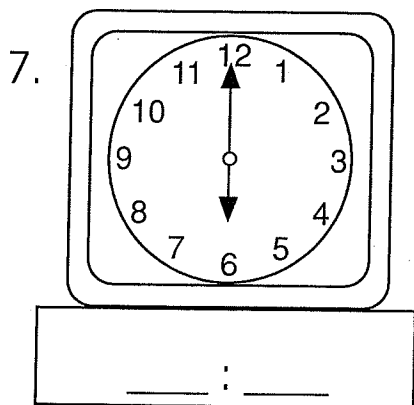
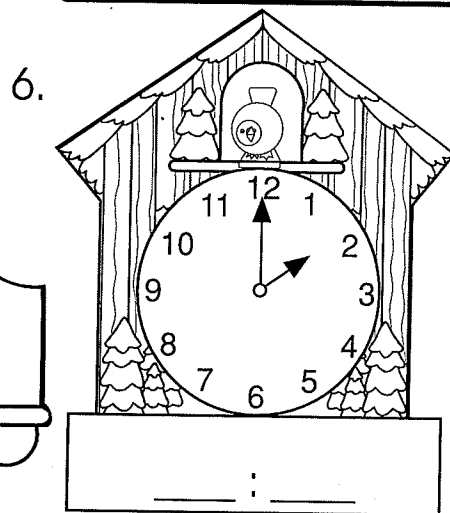
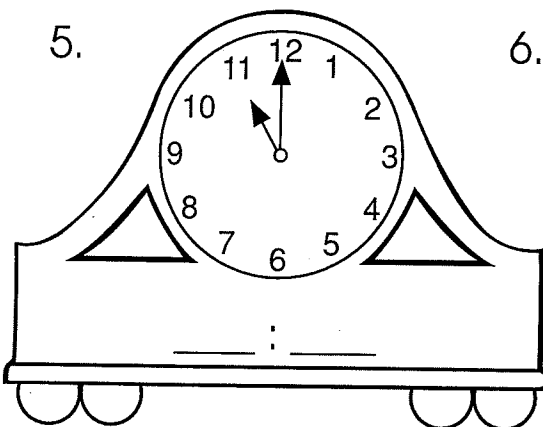
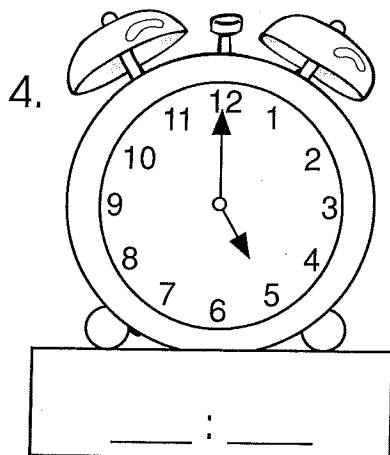
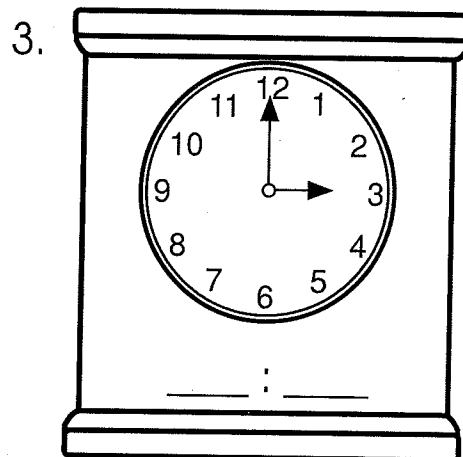
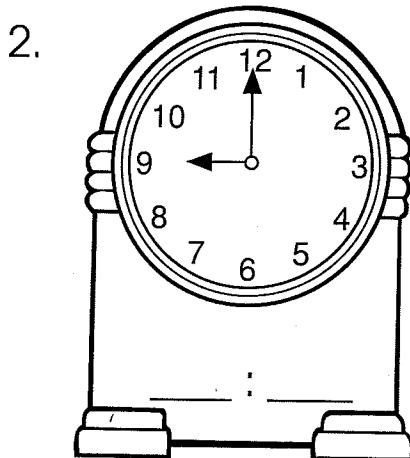
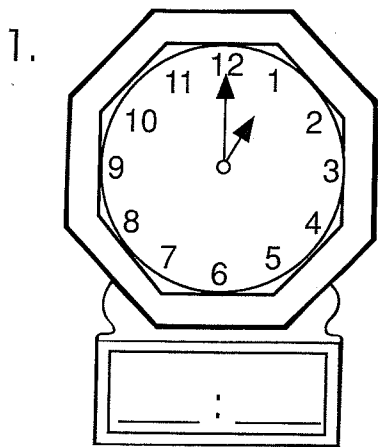
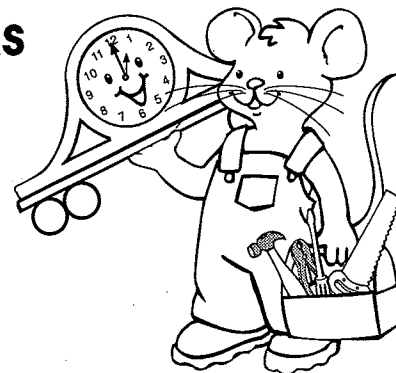


Hickory Dickory Clocks

Today Mr. Dock will fix clocks that show times between 12:00 and 7:00.

Write each time.

Use a crayon to outline each clock that Mr. Dock will fix.



Bonus Box: Divide a sheet of paper in half. On one half, draw a picture of something that you do at 8:00 in the morning. On the other half, draw a picture of something that you do at 8:00 at night. Label the pictures.



Buying with Dimes

Directions: Look at the price tag on each item. Color the number of dimes needed to buy the item.

A dime is worth 10 cents.



10



20



30

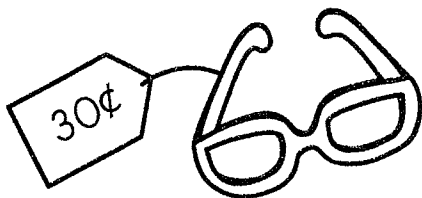


40



50

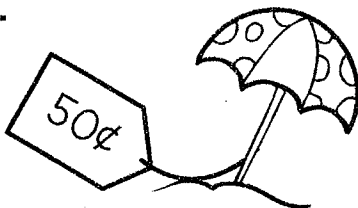
1.



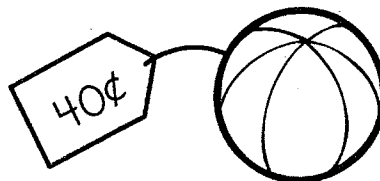
2.



3.



4.

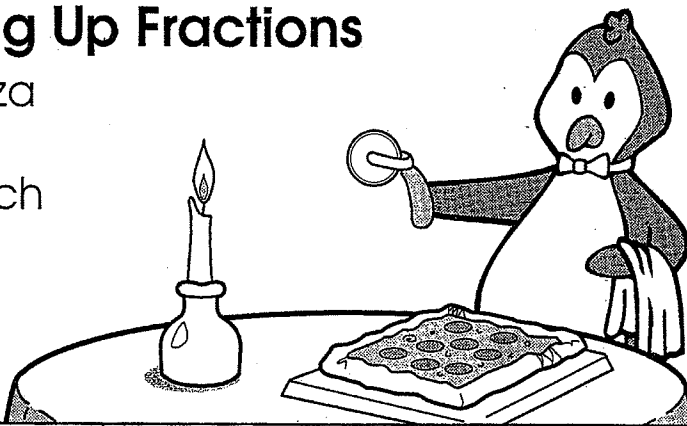


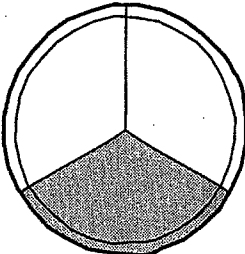
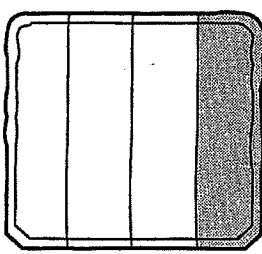
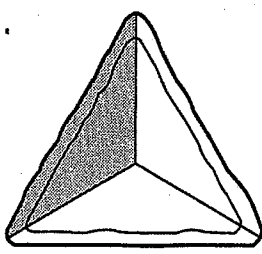
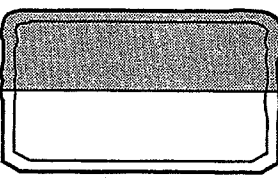
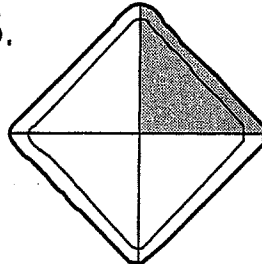
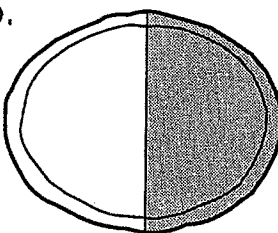
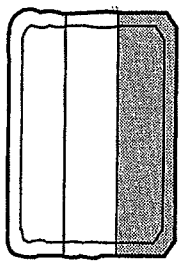
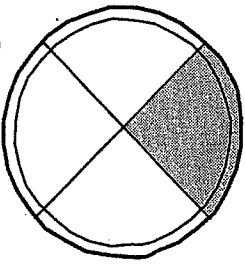
Serving Up Fractions

Pete's Pizza Place makes pizza in many shapes.

Color the shaded part of each pizza red.

Circle the correct fraction.

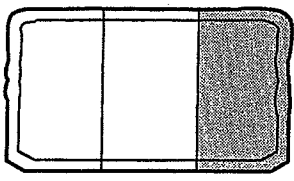
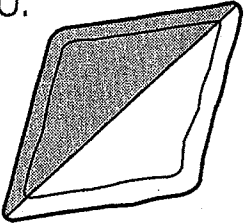
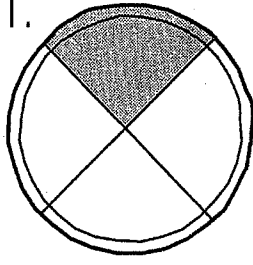
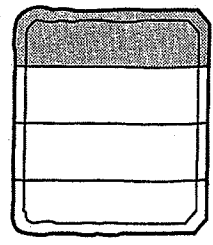


<p>1. </p> <p>$\frac{1}{2}$ $\frac{1}{3}$ $\frac{1}{4}$</p>	<p>2. </p> <p>$\frac{1}{2}$ $\frac{1}{3}$ $\frac{1}{4}$</p>	<p>3. </p> <p>$\frac{1}{2}$ $\frac{1}{3}$ $\frac{1}{4}$</p>	<p>4. </p> <p>$\frac{1}{2}$ $\frac{1}{3}$ $\frac{1}{4}$</p>
<p>5. </p> <p>$\frac{1}{2}$ $\frac{1}{3}$ $\frac{1}{4}$</p>	<p>6. </p> <p>$\frac{1}{2}$ $\frac{1}{3}$ $\frac{1}{4}$</p>	<p>7. </p> <p>$\frac{1}{2}$ $\frac{1}{3}$ $\frac{1}{4}$</p>	<p>8. </p> <p>$\frac{1}{2}$ $\frac{1}{3}$ $\frac{1}{4}$</p>

Look at the pizzas below.

Color the shaded part yellow.

Write the correct fraction.




<p>9. </p> <p>_____</p>	<p>10. </p> <p>_____</p>	<p>11. </p> <p>_____</p>	<p>12. </p> <p>_____</p>
------------------------------------------------------------------------------------------------------------	-------------------------------------------------------------------------------------------------------------	--------------------------------------------------------------------------------------------------------------	---------------------------------------------------------------------------------------------------------------

Bonus Box: On the back of this sheet, draw a large circle. Draw lines on it to divide it into 4 equal parts. Draw a pizza topping on each part. Label each piece with the correct fraction.

Presidents' Coin Collection





Count the coins. Color the matching amount.











  	21¢
	25¢

      	19¢
	7¢

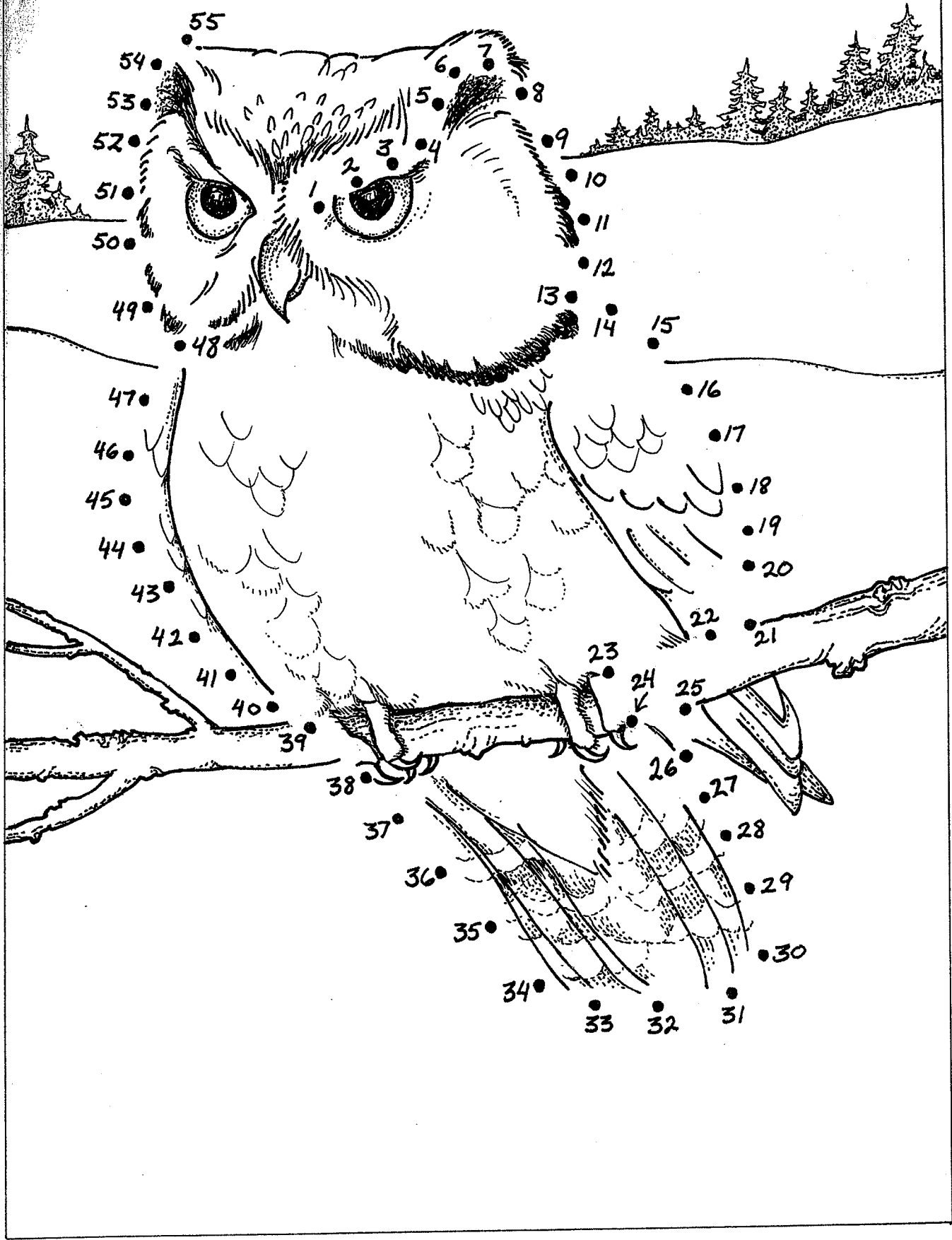
    	23¢
	22¢

   	20¢
	25¢

    	9¢
	5¢

  	12¢
	13¢

    	23¢
	18¢



55

54

53

52

51

50

49

48

47

46

45

44

43

42

41

40

39

38

37

36

35

34

33

32

31

6

7

8

9

10

11

12

13

14

15

16

17

18

19

20

22

21

23

24

25

26

27

28

29

30

